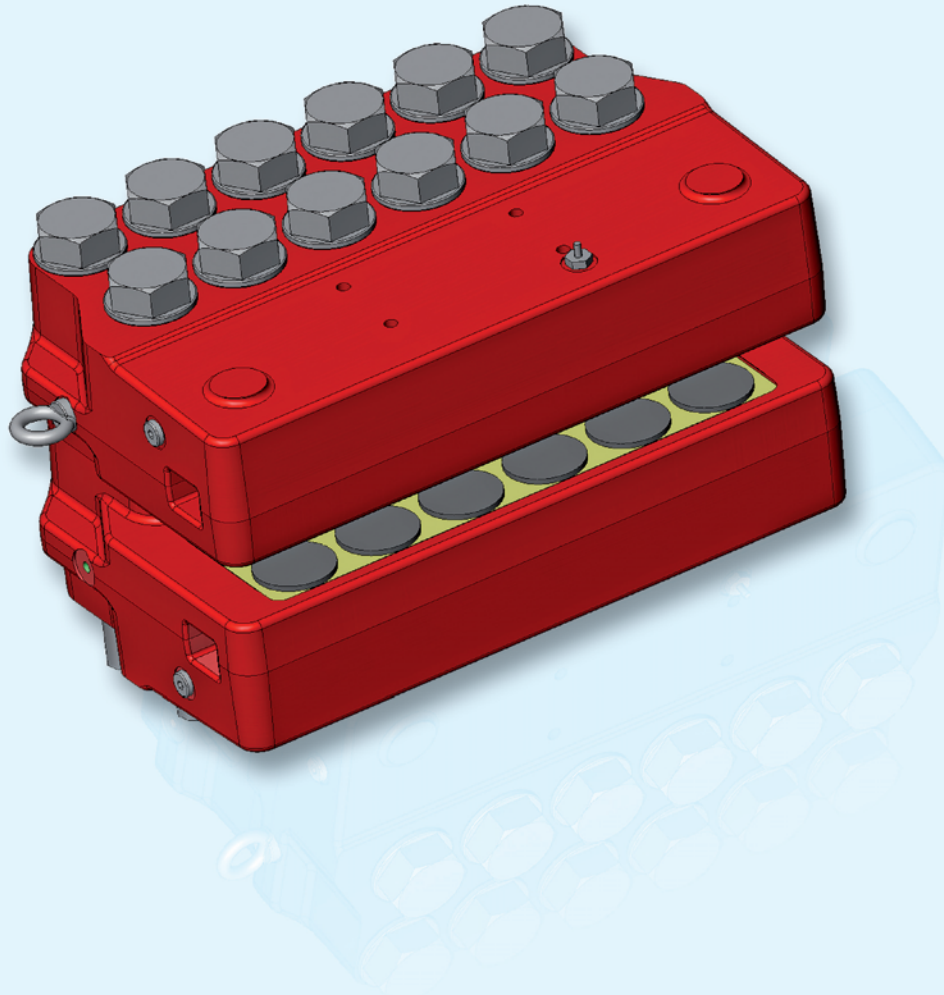


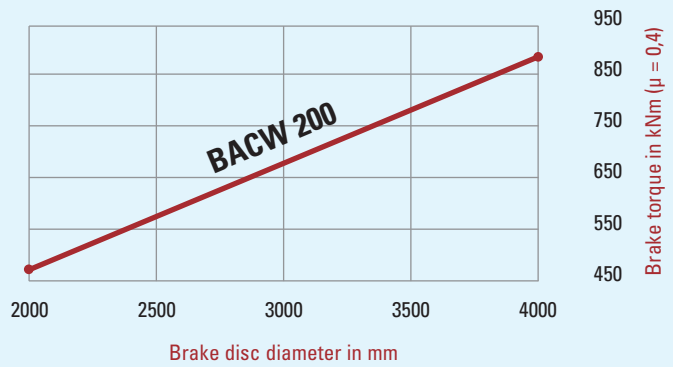
Hydraulic Caliper Disc Brakes BACW 200



B



PINTSCH BUBENZER
is certified according to
DIN EN ISO 9001:2000



Reliable



High Performance



Robust Design



Easy Maintenance

Description BACW 200



Main Features

- Brake hydraulic applied, spring released
- No failsafe function!**
- Organic, non-asbestos linings
- Airgap between brake pad and disc up to 2 mm per side

Options

- Pad Retraction Springs for dynamically Applications
- Sintered linings
- Complete piped supports for one or more calipers
- Hydraulic power units
- Brake discs
- Special Plastic linings with GFK Backplate

Applications

- Yaw Brake System



Please Note

We supply a detailed operating manual with every order. Nevertheless, we would point out that brakes are only as safe as the servicing and maintenance performed while they are in operation. The guarantee for the correct functioning of our brakes is therefore only valid if the user adheres to the German DIN standard 15434 part 2 (drum and disc brakes, servicing and maintenance in operation), or to comparable standards in his own country.



PINTSCH BUBENZER Service

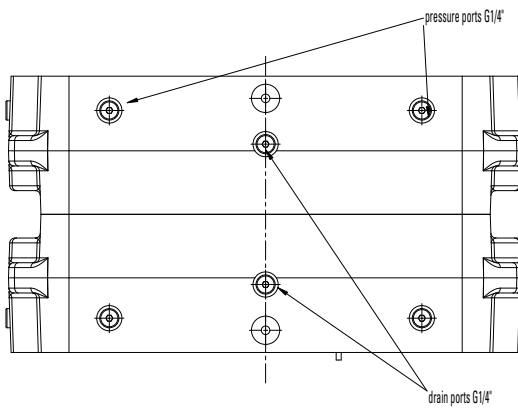
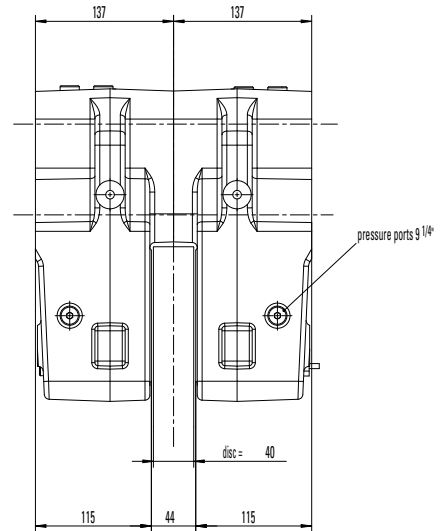
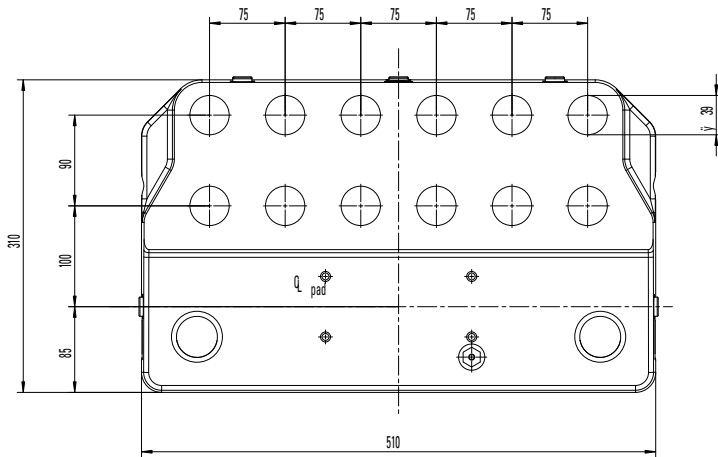
This includes the verification of the brake selection, if required. A detailed questionnaire is provided for this purpose. Installation and commissioning on site is possible by PINTSCH BUBENZER service engineers. Drawings as DWG/DXF files for your engineering department are available upon request.

Disc Brake BACW 200

Dimensions and technical data



Rev. 05-08



Type BACW 200		
Contact Force F_A	kN	542
Operating Pressure (max.)	bar	160
Oil Volume – 1 mm Stroke	l	0.135
Piston Area (per Side)	cm ²	339
Temperature Range	°C	-20 to +60
Weight	kg	190

Brake Pad		
Pad Area (each Side)	cm ²	580
Brake Pad Width	mm	138
Theor. Friction Coefficient *	μ	0,4

Brake Disc		
Brake Disc \varnothing d2	mm	min. 2.000
Disc Thickness (Standard)	mm	40

*) Average friction factor of standard material combination

All dimensions in mm
Alterations reserved without notice